

6

5

4

3

2

1

D

C

B

A

D

C

B

A

# A6转接板原理图

### REVISION RECORD

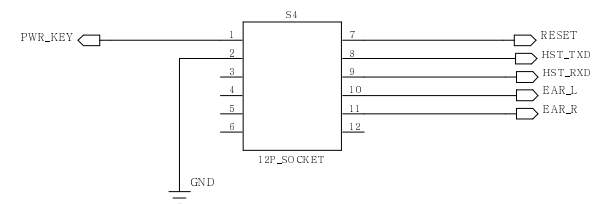
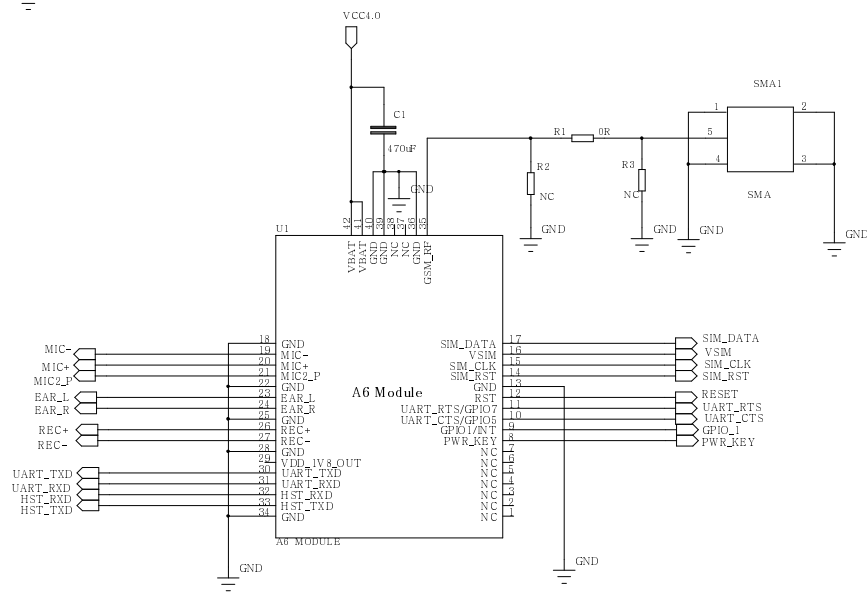
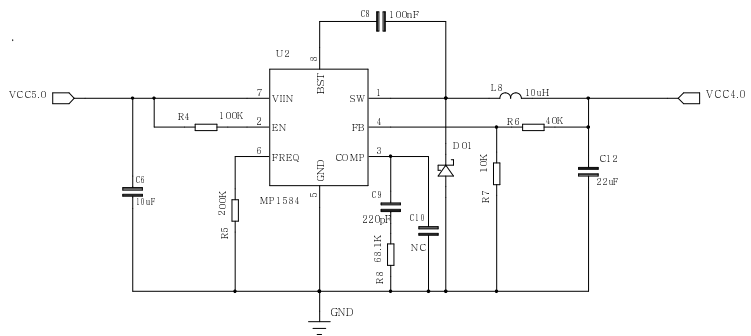
LTR	ECO NO:	APPROVED:	DATE:

COMPANY: 深圳市安信可科技有限公司

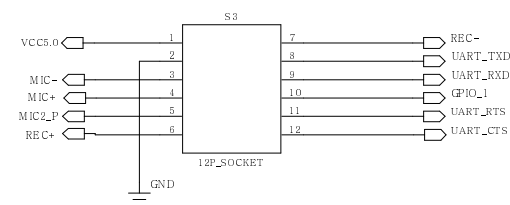
TITLE: 张富斌 创建

DRAWN: 张富斌	DATED: 2016-01-13
CHECKED: 张富斌	DATED:
QUALITY CONTROL:	DATED:
RELEASED:	DATED:

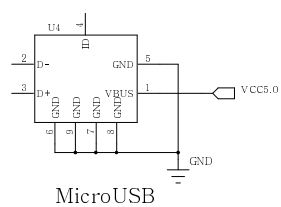
CODE:	SIZE: C	DRAWING NO:	REV:
SCALE:		SHEET: 1 OF 2	



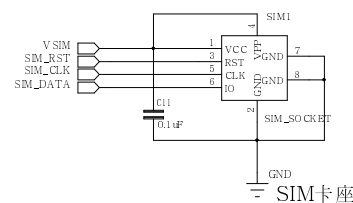
单排12针2.54标准排针



单排12针2.54标准排针



MicroUSB



SIM卡座