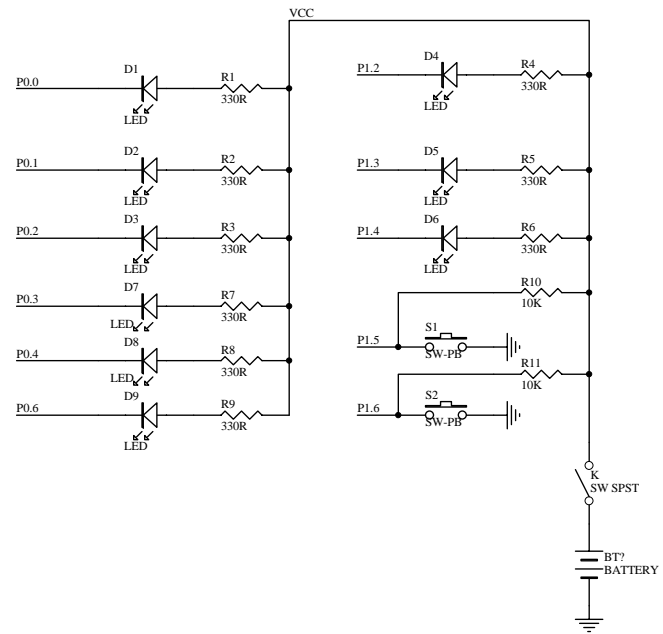
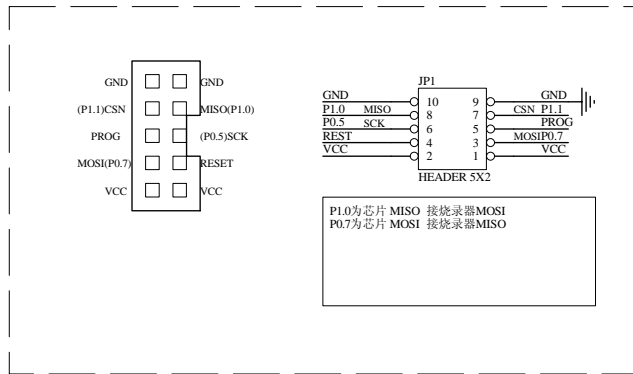


XL24LE1-D01



Title		
Size	Number	Revision
B		
Date:	29-May-2012	Sheet of
File:	E:\公司资料\coolwave_product\硬件资料\0901\WBV\PCB\xe1201-demo.dtb	