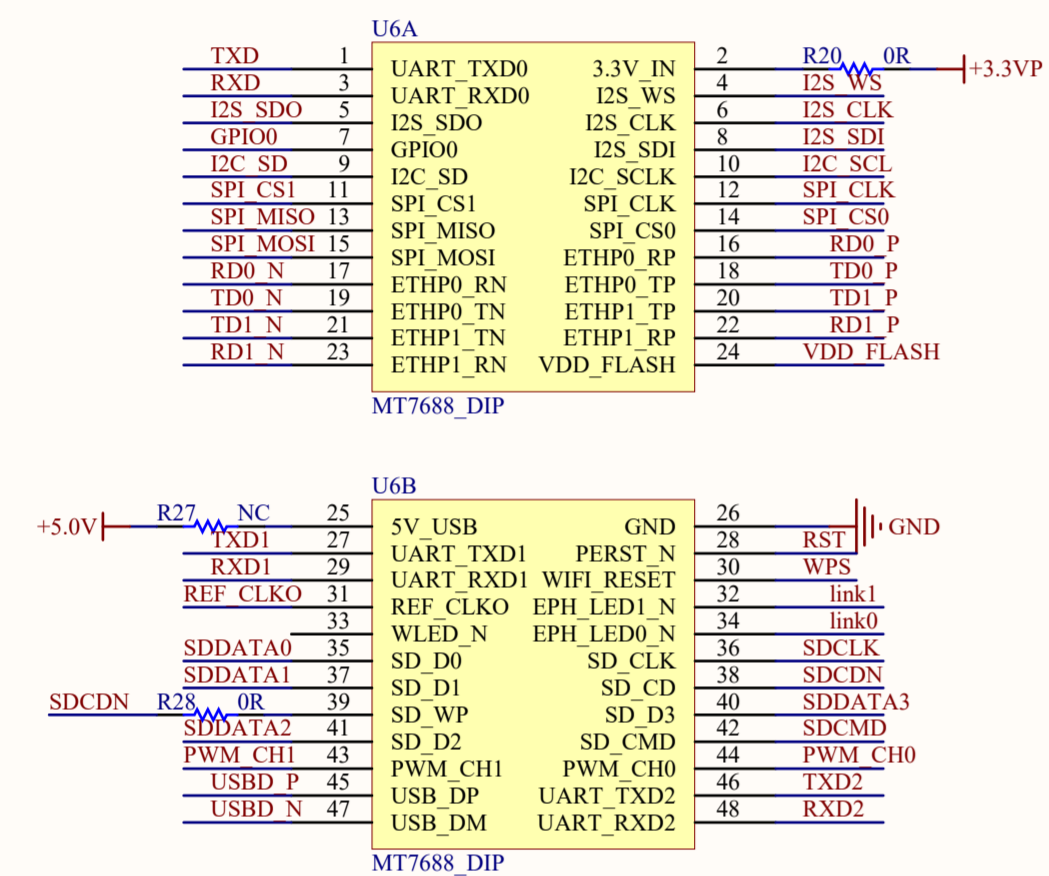
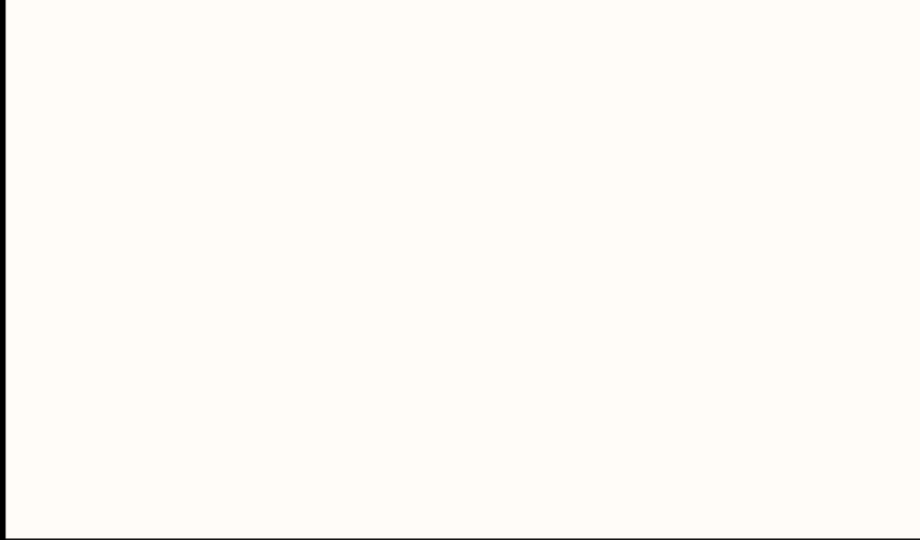
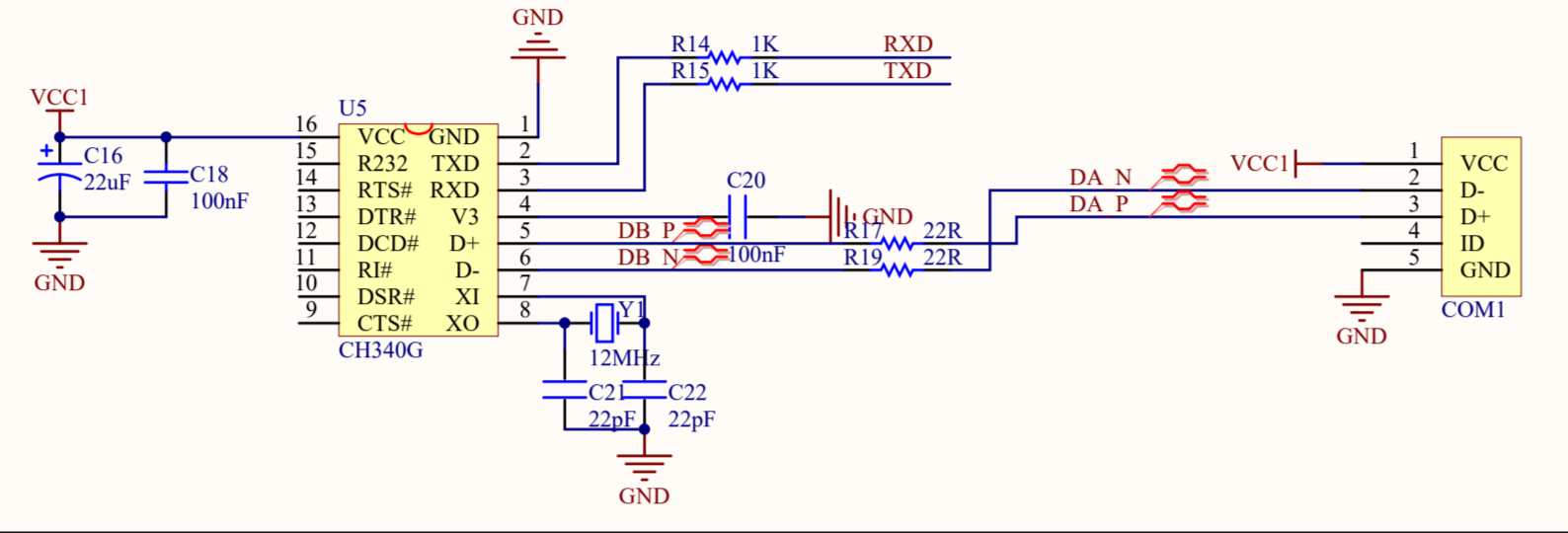
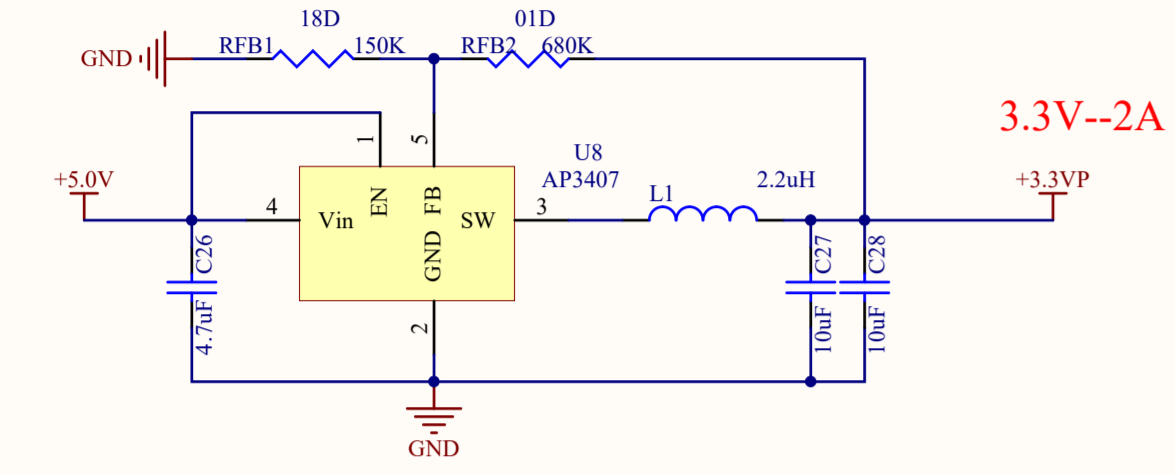
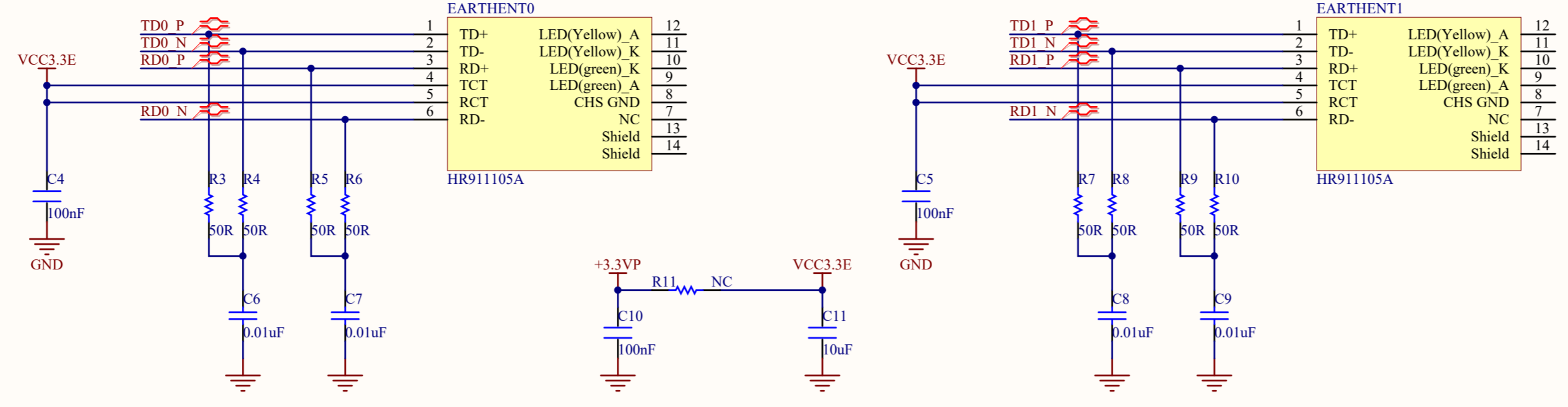
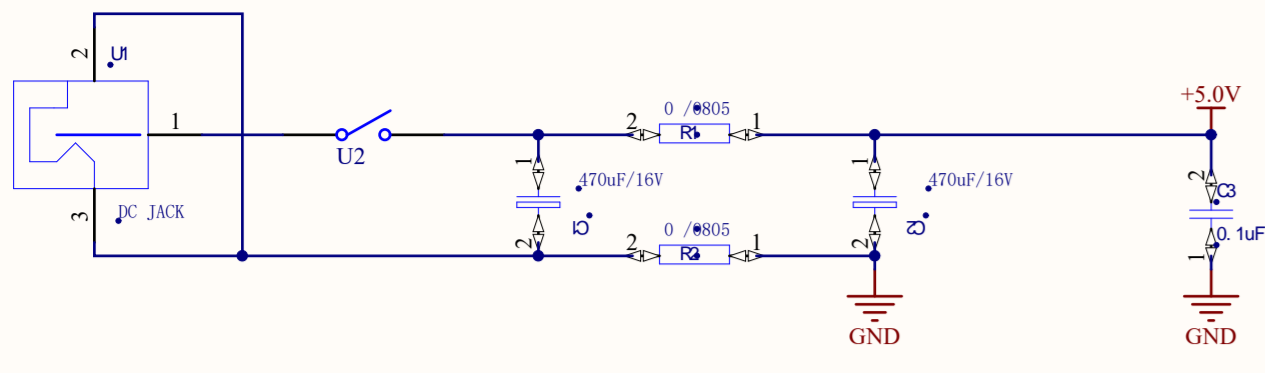
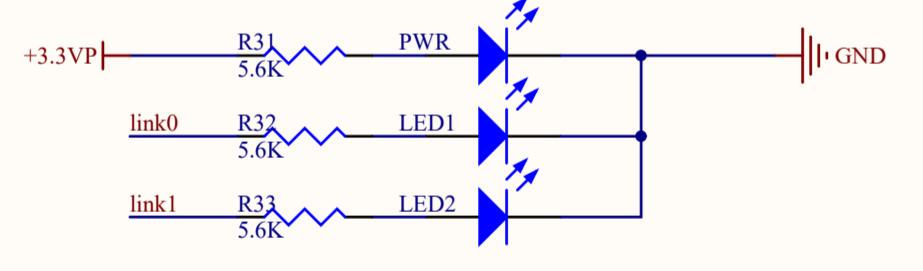
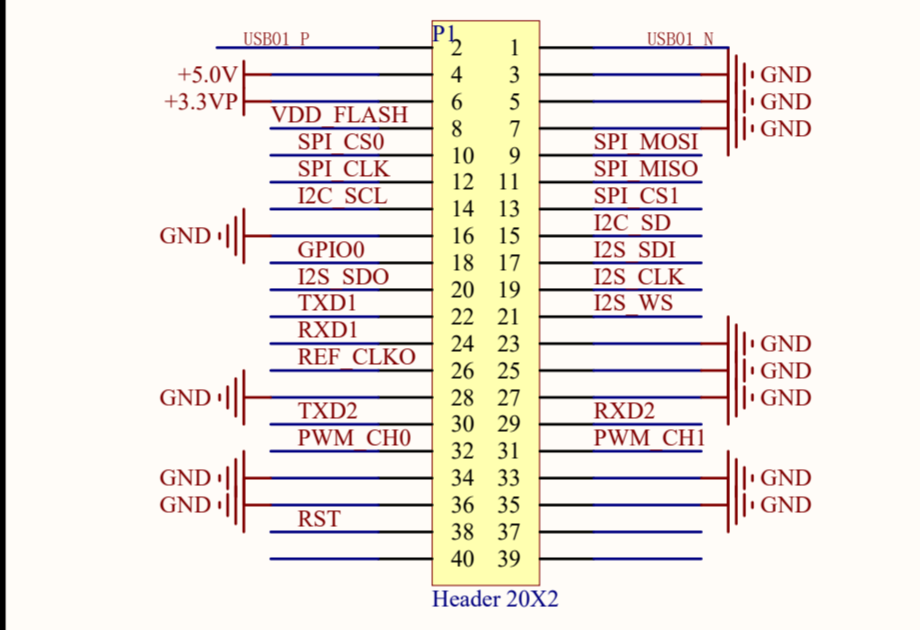
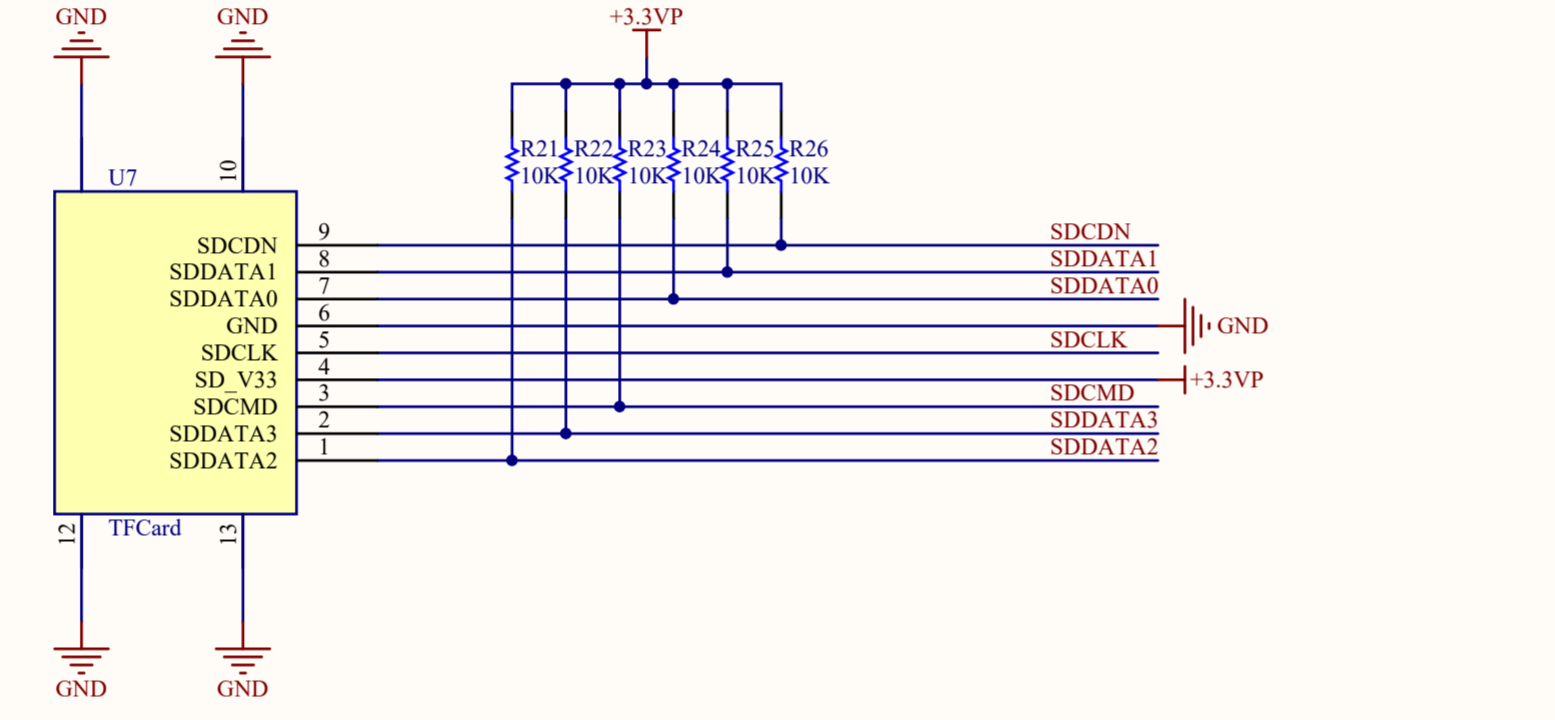


Title		
Size	Number	Revision
A4		
Date:	2016/8/15	Sheet of
File:	E:\ \.GL850G.SchDoc	Drawn By:

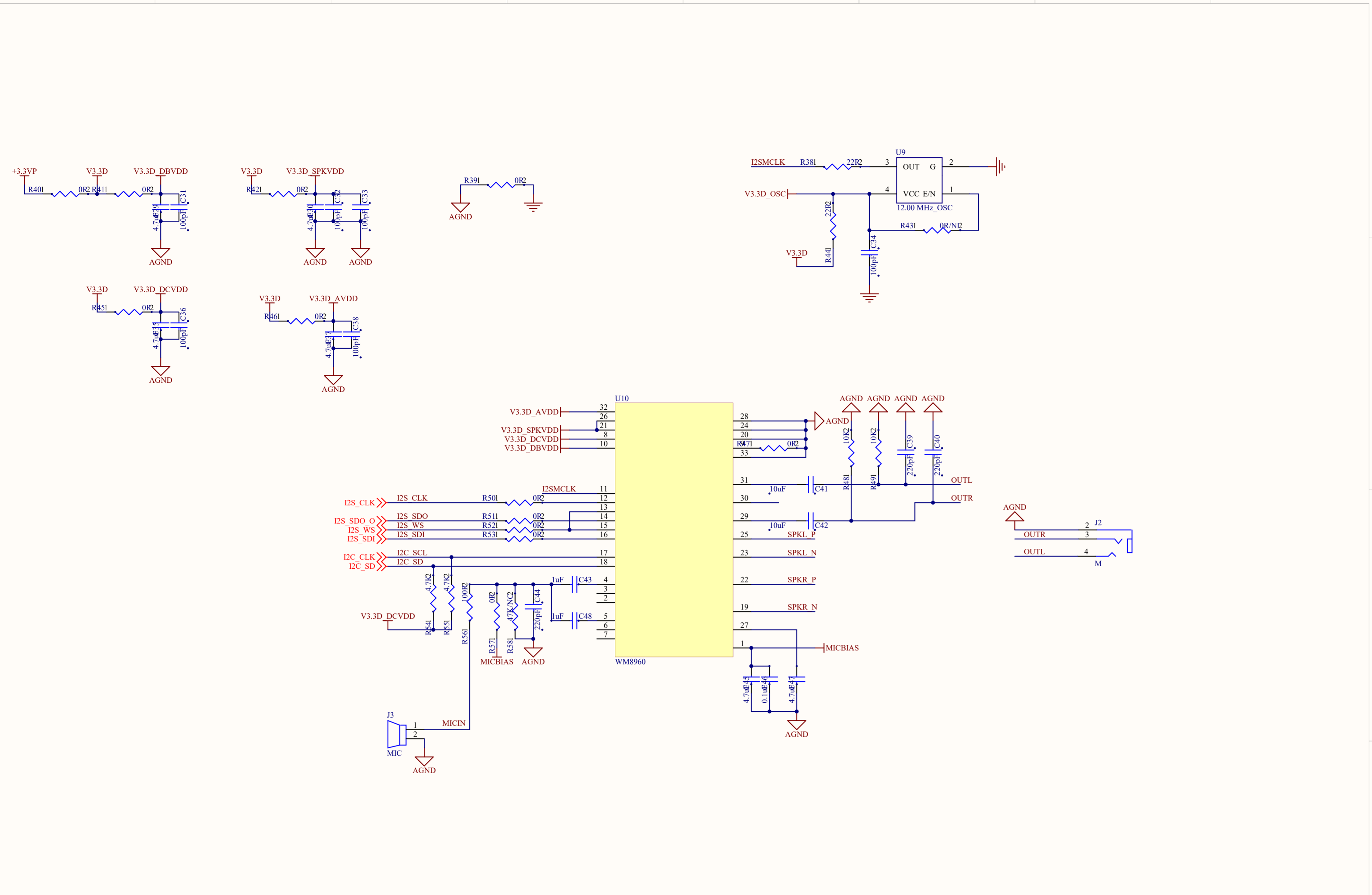
# Power



## TF/microSD

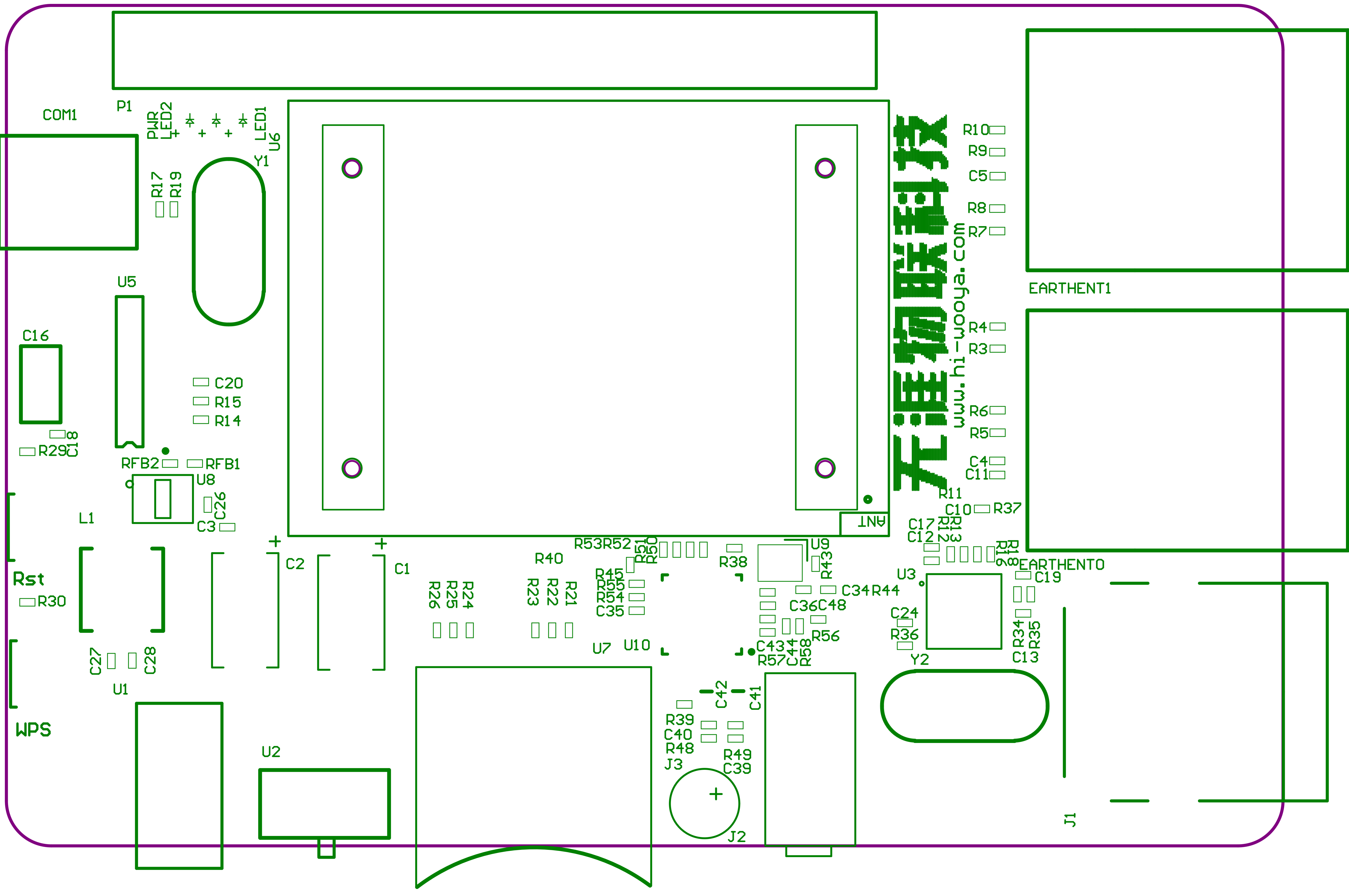


Title		
Size	Number	Revision
A3		
Date:	2016/8/15	Sheet of
File:	E:\_MT7688A_MODULE_TEST\BOM\BOM_V1.SchDoc	



Title		
Size	Number	Revision
A3		
Date:	2016/8/15	Sheet of
File:	E:\_wm8960.SchDoe	Drawn By:

无涯物联科技  
www.hi-wooya.com



- R10
- R9
- C5
- R8
- R7
- R4
- R3
- R6
- R5
- C4
- C11
- R11
- C10
- R37
- R17
- R18
- R19
- R20
- R21
- R22
- R23
- R24
- R25
- R26
- R27
- R28
- R29
- R30
- R31
- R32
- R33
- R34
- R35
- R36
- R38
- R39
- R40
- R41
- R42
- R43
- R44
- R45
- R46
- R47
- R48
- R49
- R50
- R51
- R52
- R53
- R54
- R55
- R56
- R57
- R58

EARTHENT1

EARTHENTO

COM1

P1

PMR  
LED2  
+ \* \* \*  
+ \* \* \*  
Y1 LED1  
U6

R17  
R19

C20  
R15  
R14

U5

C16

R29

RFB2  
RFB1  
U8

C26  
C3

L1

Rst  
R30

C2  
C1

R24  
R25  
R26

R40  
R21  
R22  
R23

R53  
R52  
R51  
R50

D45  
D46  
D47  
D48  
D49  
C35

U7  
U10

R39  
C40  
R48  
J3  
R49  
C39

J2

R38  
U9  
R43

C34  
R44  
C36  
C48  
C43  
C44  
R56  
R57  
C41

U3  
C24  
R36  
Y2

R31  
R32  
R33  
R34  
R35  
C13

J1