

# 样品承认书

## SPECIFICATION FOR APPROVAL

客户 Customer: ELECTRODRAGON

品名 Product Name: 5W 白光大功率 LED

型号 Version number: 5W 白光

日期 Deliver date: 2013-4-17

### 制造确认 Product confirm and sign

工程部  
APPROVED BY

制作  
Manufacture

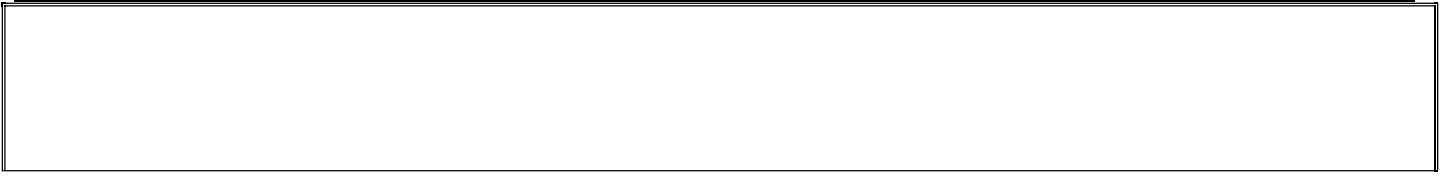
审核  
APPROVED BY

### 客户确认 Customer confirm and sign

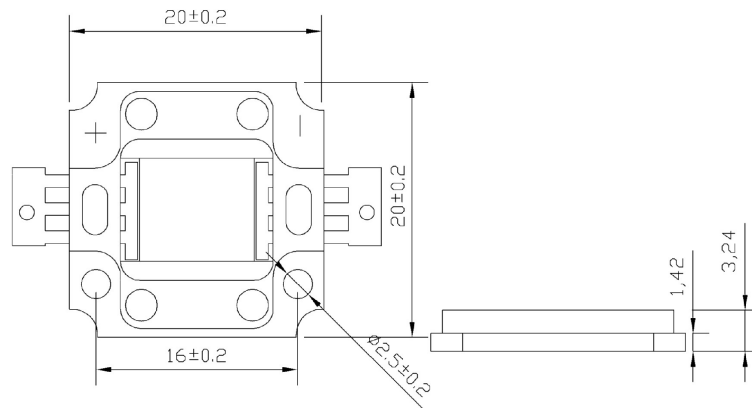
检查  
TESTED BY

审核  
CHECKED BY

承认  
APPROVED BY



## ● Package Dimensions

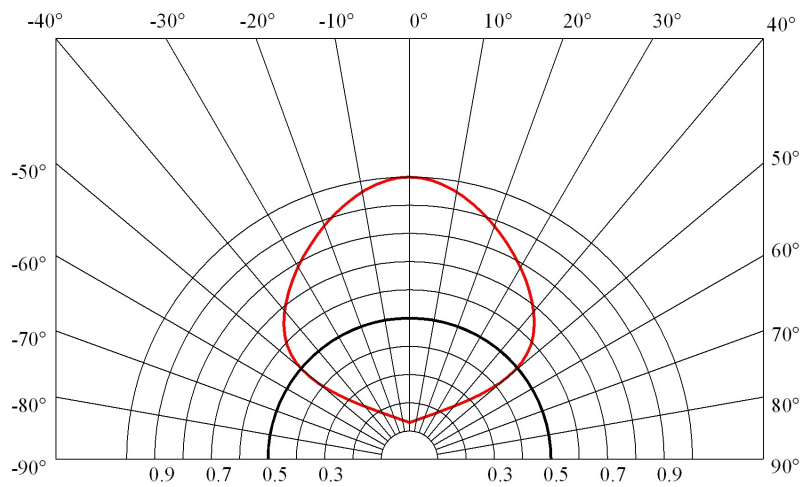


### 平面尺寸图 Dimension (mm)

#### Notes

1. All dimensions are in millimeters (inches).
2. Tolerance is  $\pm 0.25\text{mm}$  ( $0.010''$ ) unless otherwise noted.
3. Protruded resin under flange is  $1.0\text{mm}$  ( $0.04''$ ) max.
4. Lead spacing is measured where the leads emerge from the package.
5. Specifications are subject to change without notice.

## ● Spatial Distribution



● **Electrical / Optical Characteristics at TA=25°C**

Parameter	Symbol	Min.	Typ.	Max.	Unit	Test Condition
Luminous Intensity	φ	300	320	350	<b>Lm</b>	IF =700mA
Viewing Angle	2θ1/2	95	100	105	deg	IF =700mA
Dominant Wavelength	TC	6000	6500	7000	<b>K</b>	IF =700mA
Forward Voltage	vF	6.0	6.5	7.0	v	IF =700mA
Reverse Current	IR	0		10	<b>uA</b>	IF =700mA

● **Absolute Maximum Ratings at TA=25°C**

Parameter	Maximum Rating
Power Dissipation	5W
Peak Forward Current(1/10 Duty Cycle, 0.1ms Pulse Width)	2000mA
Continuous Forward Current	700mA
Derating Linear From 30°C	0.07mA/°C
Reverse Voltage	5V
Operating Temperature Range	-20°C to + 65°C
Storage Temperature Range	-30°C to + 80°C
Lead Soldering Temperature [1.6mm(.063") From Body]	260°C for 5 Seconds

