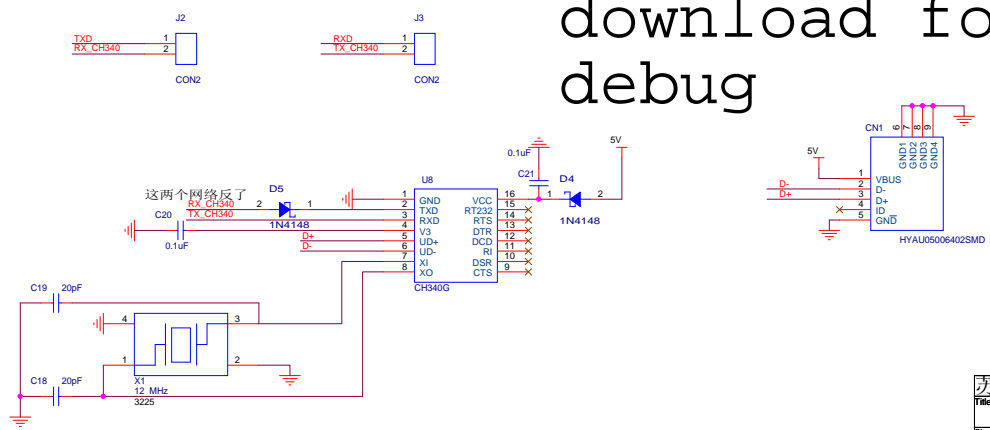
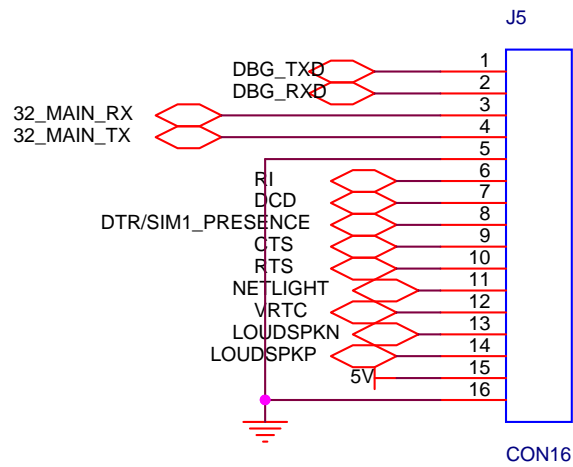
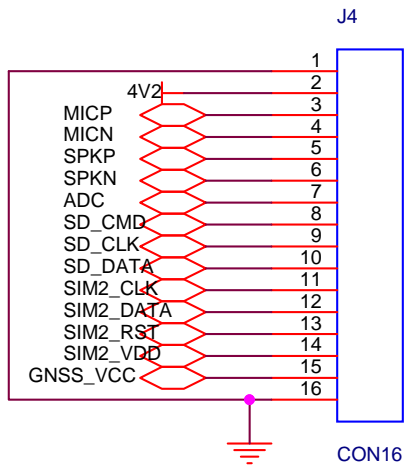


# MODULE

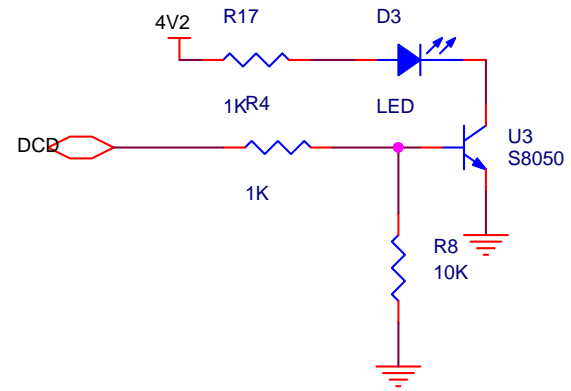
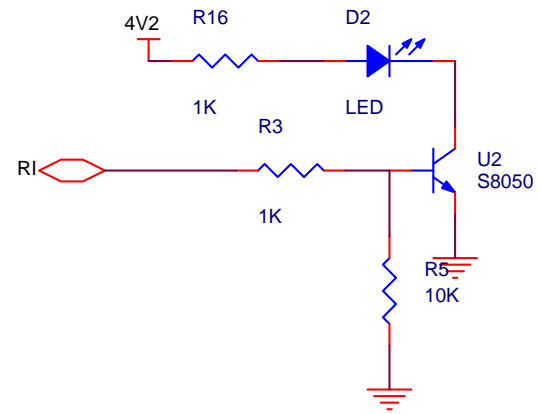
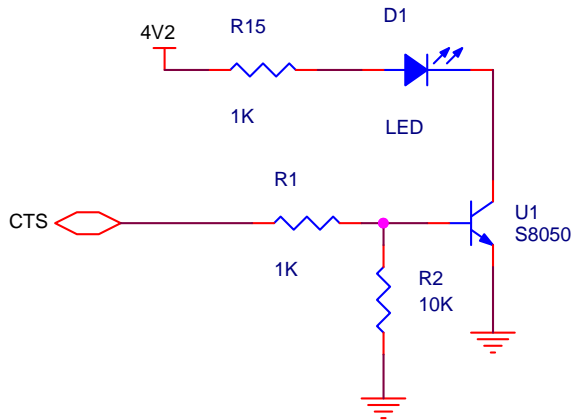
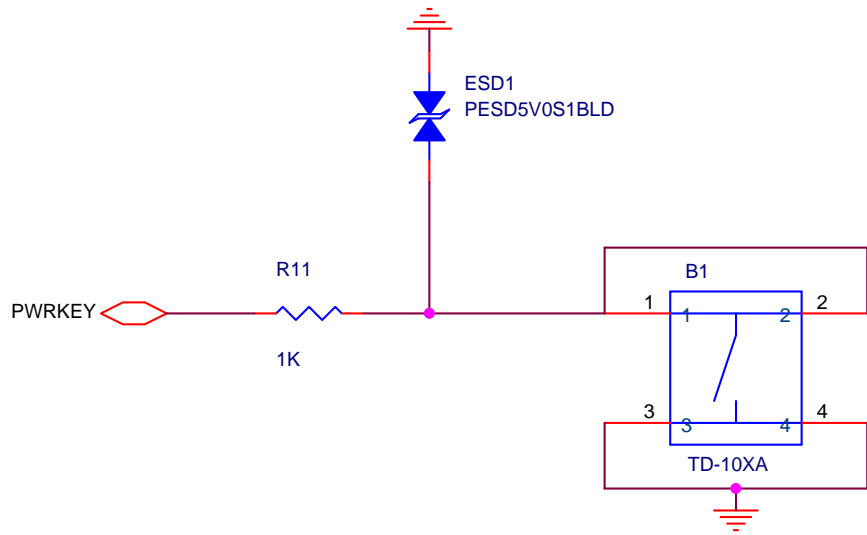
download for debug



苏州煜璞微电子科技有限公司			
File	203C&STM32		
Size	Document Number	Rev <RevCode>	
C	<Doc>		
Date:	Sheet	of	

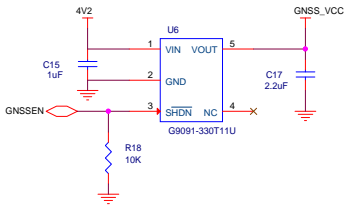
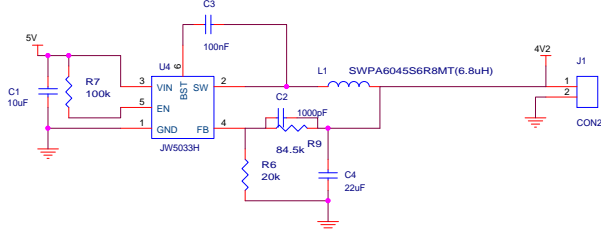


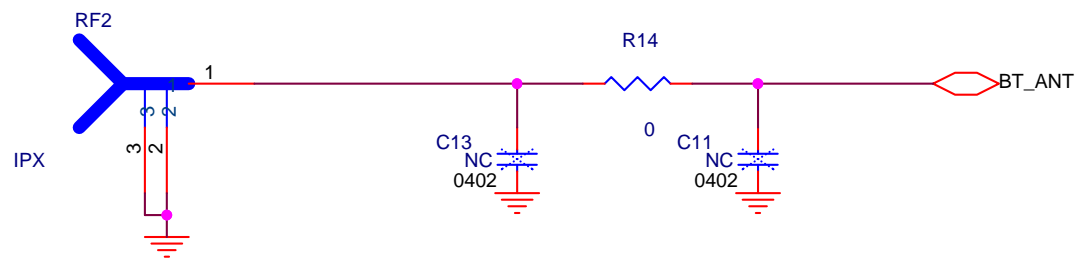
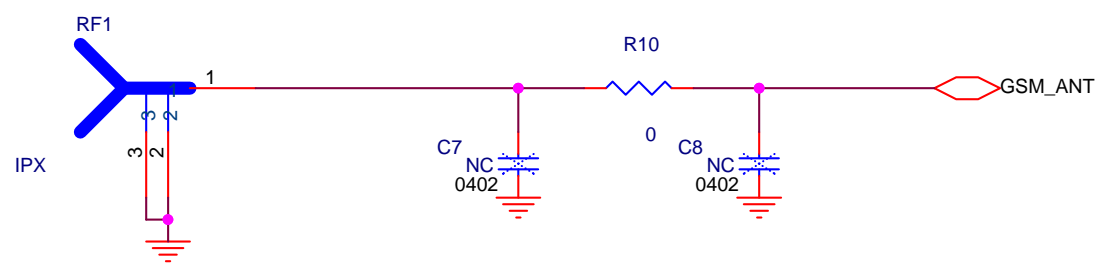
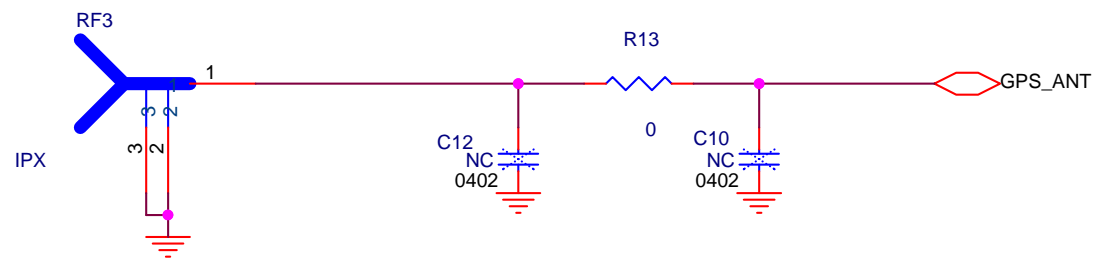
Title		
<Title>		
Size	Document Number	Rev
A	<Doc>	<RevCode>
Date:	Wednesday, July 12, 2017	Sheet 1 of 1



Title <Title>		
Size A	Document Number <Doc>	Rev <RevCode>
Date:	Wednesday, July 12, 2017	Sheet 1 of 1

# 4.2V-3.3V for GNSS

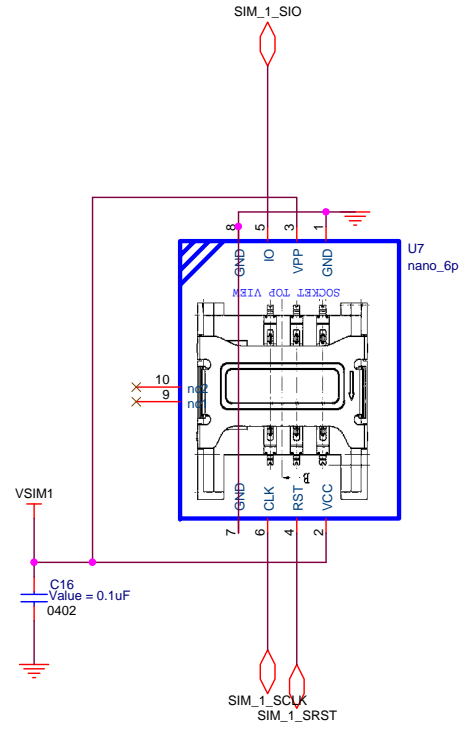




# ANTS

苏州煜瑛微电子科技有限公司		
Title RF		
Size A	Document Number <Doc>	Rev <RevCode>
Date:	Wednesday, July 12, 2017	Sheet 3 of 4

# SIM



苏州煜璞微电子科技有限公司		
Title SIM		
Size B	Document Number <Doc>	Rev <Rev Code>
Date: Wednesday, July 12, 2017	Sheet 4	of 4