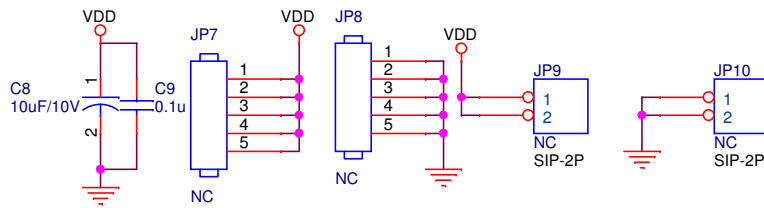
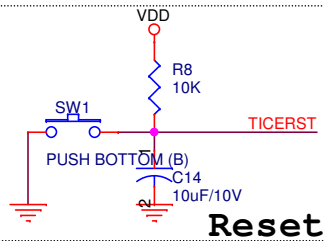
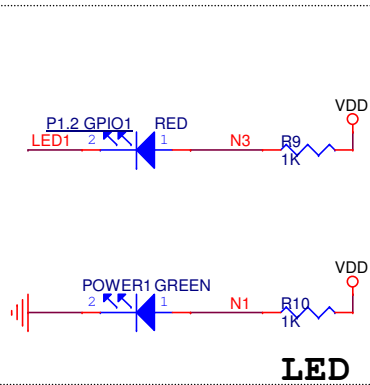
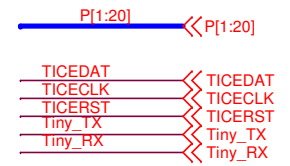


Title		
Nu-Link-Me		
Size	Document Number	Rev
A4	1	3.0
Date:	Wednesday, June 29, 2016	Sheet 1 of 10



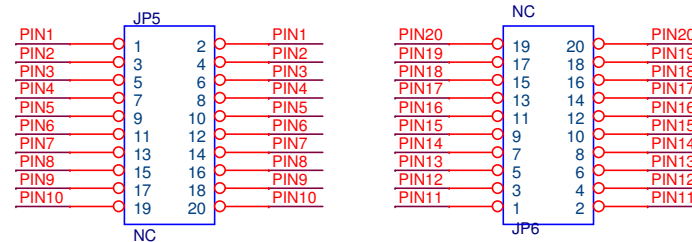
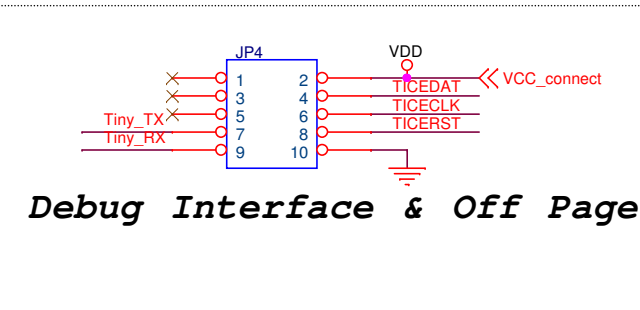
Off-page Connector



U3			
Tiny_TX	PIN1 1	P0.5/AIN4/T0/IC6/PWM2	IC3/PWM3/STADC/AIN5/P0.4
Tiny_RX	PIN2 2	P0.6/AIN3/TXD	AIN6/IC5/PWM5/P0.3
TICE_RST	PIN3 3	P0.7/AIN2/RXD	[SCL]/RXD_1/OCDC/ICPCK/P0.2
	PIN4 4	P2.0/RST	MISO/IC4/PWM4/P0.1
	PIN5 5	P3.0/AIN1/OSCIN/INT0	T1/MOSI/IC3/PWM3/P0.0
	PIN6 6	P1.7/AIN0/INT1	SPCLK/IC2/PWM2/P1.0
	PIN7 7	GND	CLO/AIN7/IC1/PWM1/P1.1
TICE_DAT	PIN8 8	P1.6/OCDDA/ICPDA/TXD_1/[SDA]	IC0/PWM0/P1.2
	PIN9 9	VDD	[STADC]/SCL/P1.3
	PIN10 10	P1.5/SS/IC7/PWM5	PWM1/FB/SDA/P1.4

N76E003 TSSOP20

N76E003



Title		
SDK Circuit		
Size	Document Number	Rev
A4	2	1.1
Date: Wednesday, June 29, 2016		
Sheet 2		of 10